

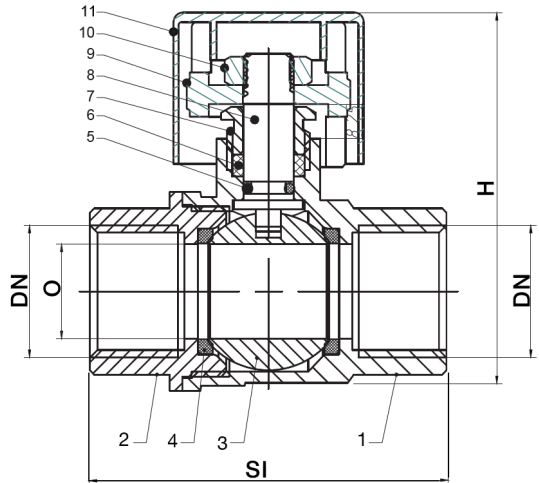
ART 40P 95

PN40 Brass Ball Valve with Lockshield Nut & Cap



Features

- Screwed BSP Parallel (ISO 228/1)
- Anti-blow-out stem
- PTFE seats & seals
- Full bore



EN331



GAS APPROVED



Technical data

Max pressure: ¼" - 2" 40 Bar

2½" - 4" 25 Bar

Working temp: -20°C to +140°C

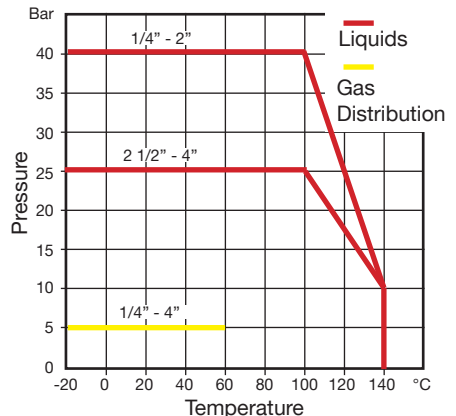
Technical data - Gas distribution

Max pressure: ¼" - 4" 5 Bar

Working temp: -20°C to +60°C

DN	1/2"	3/4"	1"	1 1/4"	1 1/2"	2"
O	14.5	19.0	24.5	31.5	40.0	49.0
H	60.0	65.5	75.3	93.0	106.0	121.0
SI	57	67	77	88	99	121
Kv	16	30	48	100	170	230
Kgs	0.25	0.34	0.49	0.81	1.12	1.62

N.	Part Name	Materials
1	Body	Brass / Nickel Plated CW617N
2	Cap	Brass / Nickel Plated CW617N
3	Seat	PTFE
4	Ball	Brass / Chrome Plated CW617N
5	Stem	Brass CW617N
6	Packing	PTFE
7	Lock Nut	Brass CW617N
8	Handle	Carbon Steel A3
9	Nut	Carbon Steel A3
10	O-Ring	NBR



V1. Dimensions in mm

This data sheet is designed as a guide and should not be regarded as wholly accurate in every detail. We reserve the right to amend the specification of any product without notice.