

ART 36

DZR Brass Double Check Valve



Features

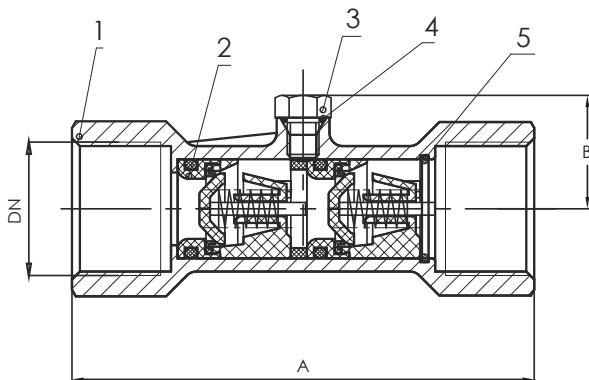
- Screwed F/F BSP Parallel (ISO 228/1) ends
- Conforms with BS EN 13959
- Prevention of back flow and back syphonage contamination
- Suitable for Fluid Categories 1, 2 & 3



Technical data

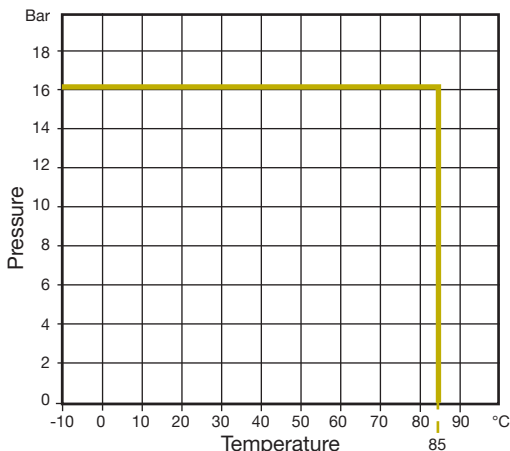
Max pressure: 16 Bar

Working temp: -10°C to 85°C



DN	1/2"	3/4"	1"	1 1/4"	1 1/2"	2"
A	71	83	98	118	134	173
B	17.5	20	22.8	26	30	35
Kv	3.7	7.1	10.3	17.5	26.0	42.5
Kgs	0.11	0.17	0.28	0.45	0.64	1.19

N.	Part Name	Materials
1	Body	DZR Brass CW602N
2	Non-return core	POM
3	Screw	Brass HPb59-T
4	O-Ring	NBR
5	Catch Spring	Stainless Steel 304



V3. Dimensions in mm

This data sheet is designed as a guide and should not be regarded as wholly accurate in every detail. We reserve the right to amend the specification of any product without notice.