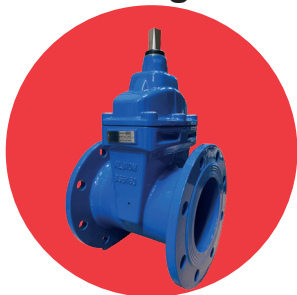


ART 231 PN10/16

Underground / Buried resilient seated gate valve with extension



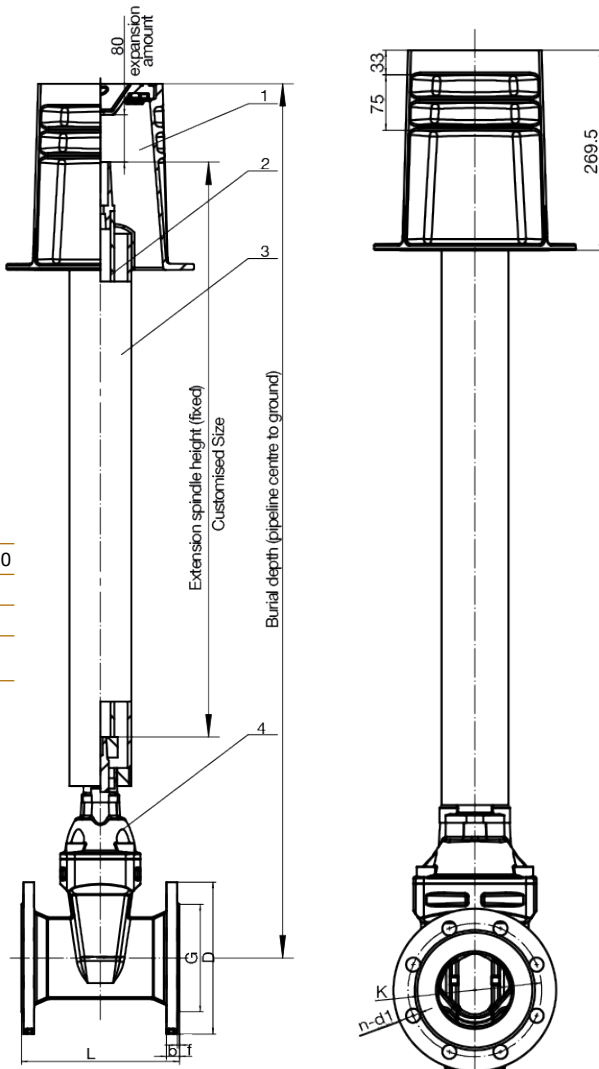
Technical data

Max pressure: 16 Bar

Working temp: 0°C to +80°C

Features

- Available in PN10 and PN16
- BS5163, Type B cover and stem
- Non rising stem, clockwise closing
- Flange mounting to EN1092-2 PN10 / PN16
- Face to face length to EN558-1 Series 3
- Internally and externally fusion bonded epoxy coated



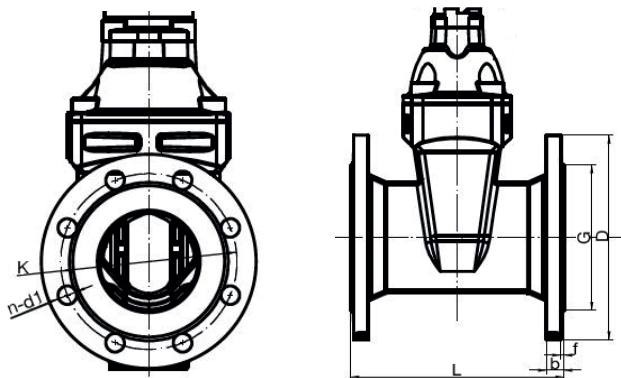
N. Part Name

Materials

1	Buried Box	Ductile Iron GGG50
2	Extension Rod	Carbon Steel
3	Sleeve	Polyethylene Pipe
4	Resilient Seated Gate Valve	Refer to ART 231 datasheet

ART 231 PN10/16

Underground / Buried resilient seated gate valve with extension



DN	50	65	80	100	125	150	200	250	300	350	400	450	500	600
L	178	190	203	229	254	267	292	330	356	381	406	432	457	508
D	165	185	200	220	250	285	340	405	460	520	580	640	715	840
K PN10	125	145	160	180	210	240	295	350	400	460	515	565	620	725
K PN16	125	145	160	180	210	240	295	355	410	470	525	585	650	770
G PN10	99	118	132	156	184	211	266	319	370	429	480	530	582	682
G PN16	99	118	132	156	184	211	266	319	370	429	480	548	609	720
n-d1	4-	4-	8-	8-	8-	8-	8-	12-	12-	16-	16-	20-	20-	20-
PN10	Ø19	Ø19	Ø19	Ø19	Ø19	Ø23	Ø23	Ø23	Ø23	Ø23	Ø28	Ø28	Ø28	Ø31
n-d1	4-	4-	8-	8-	8-	8-	12-	12-	12-	16-	16-	20-	20-	20-
PN16	Ø19	Ø19	Ø19	Ø19	Ø19	Ø23	Ø23	Ø28	Ø28	Ø28	Ø31	Ø31	Ø34	Ø37
b	19	19	19	19	19	19	20	22	24.5	26.5	28	30	31.5	36
f	3	3	3	3	3	3	3	3	4	4	4	4	4	5

