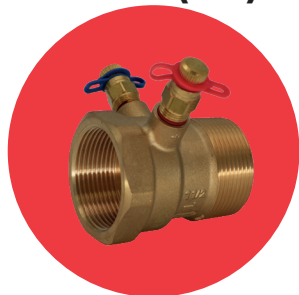


ART 67

PN25 DZR Brass Metering Station (MS)



Features

- Inlet ISO 7/1 Female Rp (Parallel) - 1/2"
- Inlet ISO 7/1 Female Rc (Taper) - 3/4" - 2"
- Outlet ISO 7/1 Male R (Taper) - 1/2" - 2"
- Fixed orifice with $\pm 5\%$ flow measurement accuracy
- Can be close coupled to a double regulating valve
- Supplied with 2 fitted test points
- Complies with BS 7350:2025
- Glycol mixtures up to 50%
- 1/2" available in Std, Med, Low, Ultra Low and Ultra Ultra Low flow versions

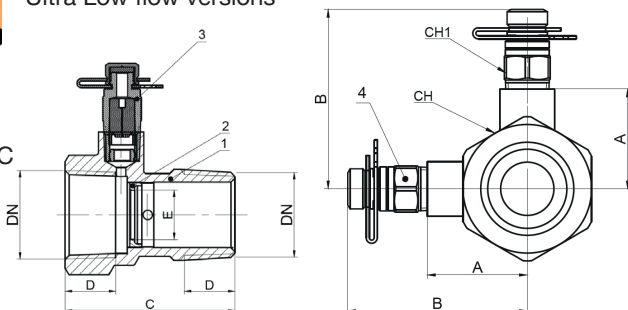


Technical data

Max pressure: 25 Bar

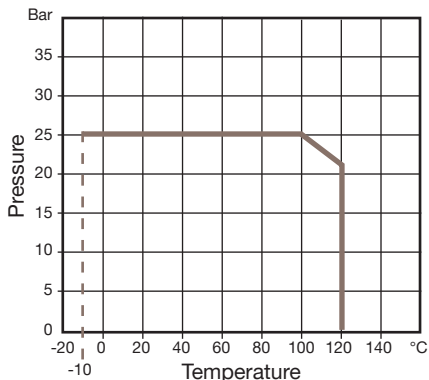
Working temp: -10°C to +120°C

WRAS Applications: -10°C to +85°C



DN	1/2"UUL	1/2"UL	1/2"L	1/2"M	1/2"	3/4"	1"	1 1/4"	1 1/2"	2"
A	24.5	24.5	24.5	24.5	24.5	27.7	31.1	35.5	38.5	44.5
B	49.3	49.3	49.3	49.3	49.3	52.5	55.9	61.5	64.5	70.5
C	66.7	66.7	66.7	66.7	66.7	66.6	63.8	71.0	71.0	80.0
D	15.8	15.8	15.8	15.8	15.8	17.0	19.0	21.5	22.0	27.5
E	1.8	3.0	4.3	6.25	8.25	15.5	18.5	24.0	29.0	37.0
CH	28	28	28	28	28	34	40	50	55	68
CH1	14.27	14.27	14.27	14.27	14.27	14.27	14.27	14.27	14.27	14.27
Kvs	0.11	0.24	0.47	0.96	1.81	4.38	10.07	18.11	29.28	50.59
Kgs	0.21	0.21	0.21	0.21	0.21	0.26	0.31	0.42	0.47	0.70

N.	Part Name	Materials
1	Body	DZR Brass (CW602N)
2	Core (DN20-DN50)	H62
3	Binder Test Point (Red)	DZR Brass (CW602N)
4	Binder Test Point (Blue)	DZR Brass (CW602N)



V1. Dimensions in mm

This data sheet is designed as a guide and should not be regarded as wholly accurate in every detail. We reserve the right to amend the specification of any product without notice.