

# ART 705 EasyFlow Bronze Valve Assembly complete with Insulation Jacket



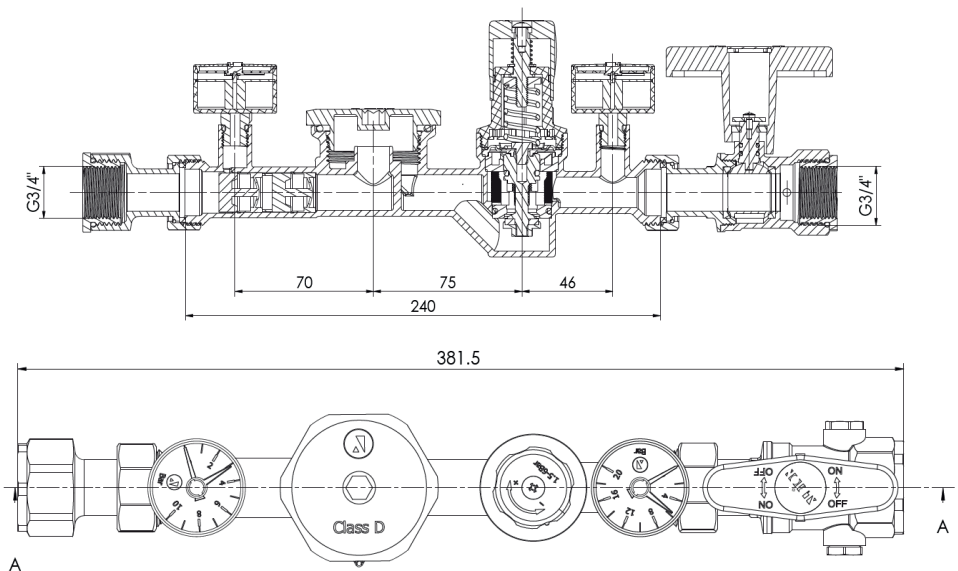
## Features

- Screwed Female BSP Parallel (ISO 228/1). Combined assembly covers sizes 3/4" & 1"
- Bronze Body CC499K
- Fitted with:
  - Ball type isolating valve with extended quarter turn T-handle
  - Pressure gauges for measurement of inlet and outlet pressure
  - Built in pressure reducing valve (1.5 to 6 Bar) with integral strainer
  - Capped water meter connection for direct fittings of concentric Class D water meter
  - Built in double check valve (Water regulations and BS EN 13959)
  - EPP custom moulded insulation jacket (BS EN 13501-1). This can be fully removed with or without the water meter installed.
  - Horizontal or vertical mounting but flow direction indication on the valve body and the EPP insulation jacket must be adhered to.

## Technical data

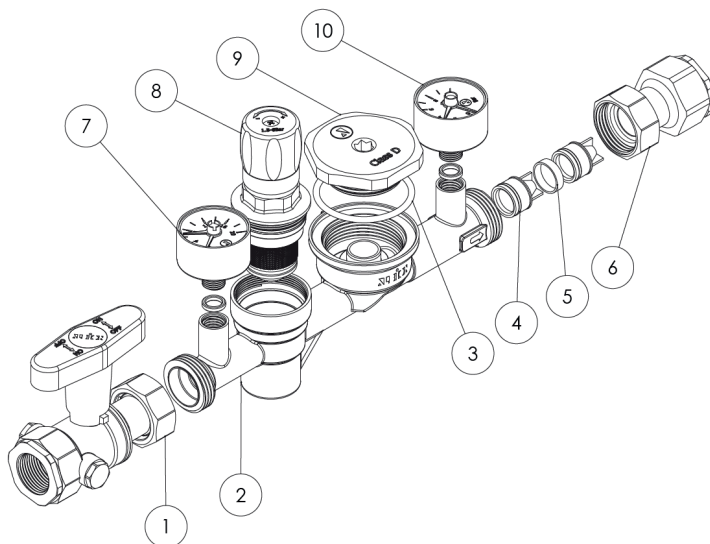
Max pressure: 16 Bar  
 Outlet pressure range: 1.5 - 6 Bar  
 Pre-set pressure: 3 Bar  
 Working temp: 4°C to +80°C

The EasyFlow combination valve can be used in domestic potable water applications (both hot and cold), WRAS approved and UK Reg4 compliant.



# ART 705 EasyFlow

## Bronze Valve Assembly complete with Insulation Jacket



### N. Part Name

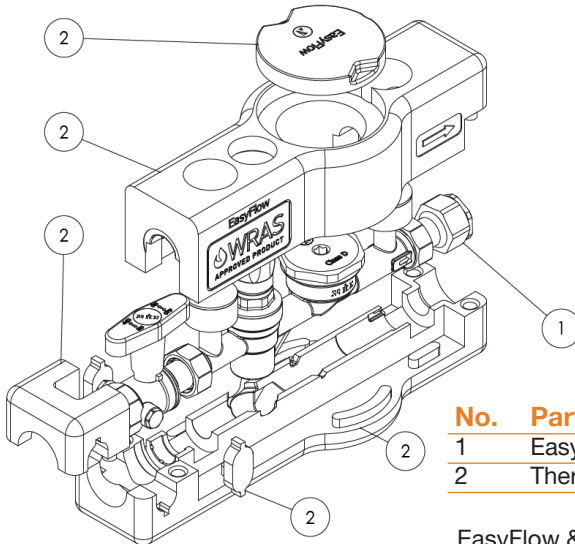
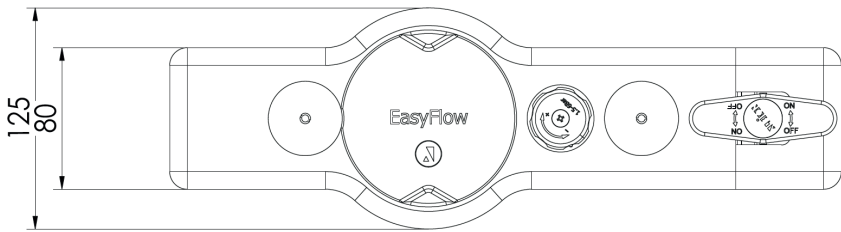
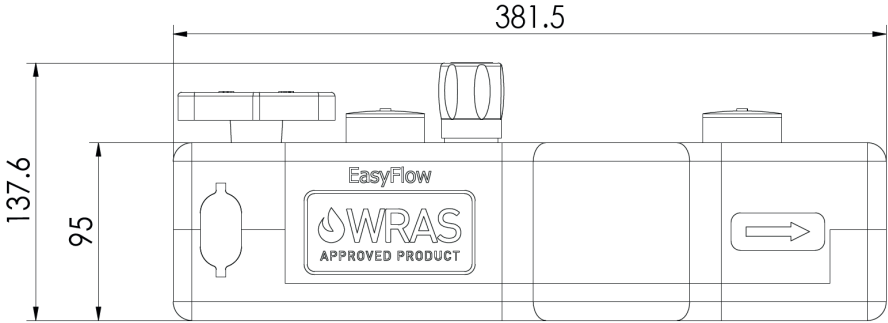
### Materials

1	Ball Valve	Bronze CC499K
2	Water Meter Combination Valve Body	Bronze CC499K
3	O-Ring	EP7118F (70SH)
4	Double Check Valve	POM
5	Sleeve	CW511L
6	Sliding Thread Adaptor	Bronze CC499K
7	Pressure Gauge	Various
8	Pressure Reducing Valve	Various
9	Water Meter Cap	PA66
10	Pressure Gauge	Various

See IOM for full of spares available.

# ART 705 EasyFlow

## Bronze Valve Assembly complete with Insulation Jacket



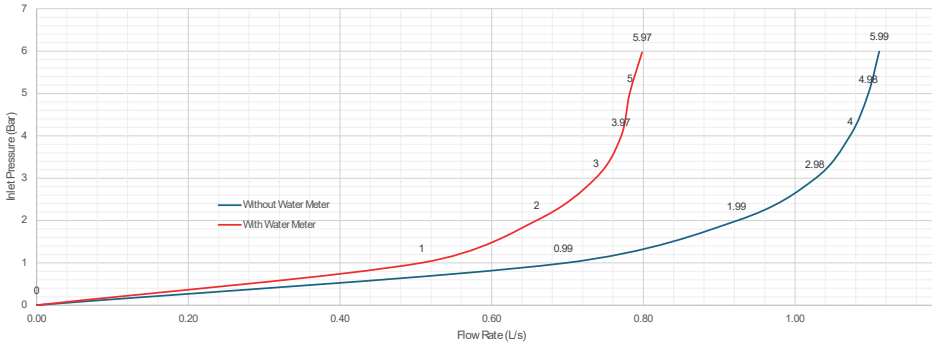
No.	Part Name	Materials
1	EasyFlow	
2	Thermal Housing	EPP

EasyFlow & Housing 2.05kgs

# ART 705 EasyFlow Bronze Valve Assembly complete with Insulation Jacket



EasyFlow - Relationship Between Pressure (Bar) & Flow Rate (l/s) With & Without Water Meter



## Specification Clause;

The water meter manifold shall be made from bronze material and must be WRAS approved.

The manifold shall incorporate, in the following order, an extended lever isolating ball valve, approved as a stop valve by water regulations (WRAS), a pressure gauge to display the supply (inlet) pressure, a cartridge type pressure reducing valve with integral in-line strainer, a connection point for an optional primary charging in-line 'Class D' concentric water meter, a double check valve, and a pressure gauge to show the set outlet pressure.

The assembly shall be supplied in a purpose built insulated cover and all components shall be accessible from the front of the valve.