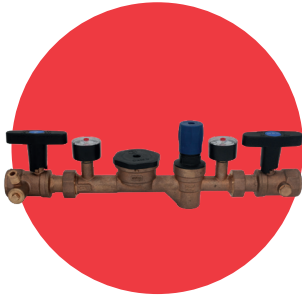


ART 710 EasyFlow Pro Bronze Valve Assembly complete with additional IV and drain and Insulation Jacket



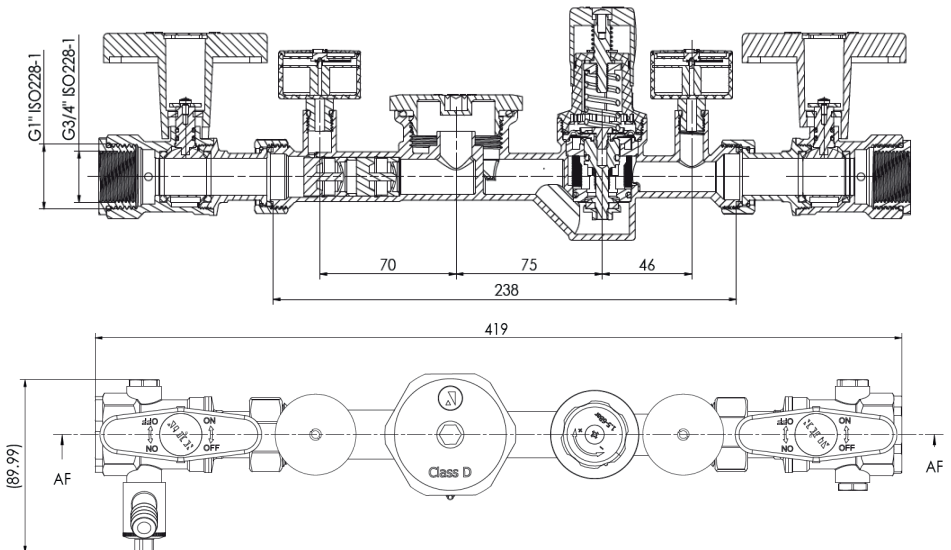
Features

- Screwed Female BSP Parallel (ISO 228/1). Combined assembly covers sizes 3/4" & 1"
- Bronze Body CC499K
- Fitted with:
 - Ball type isolating valve with extended quarter turn T-handle
 - Pressure gauges for measurement of inlet and outlet pressure
 - Built in pressure reducing valve (1.5 to 6 Bar) with integral strainer
 - Capped water meter connection for direct fittings of concentric Class D water meter
 - Built in double check valve (Water regulations and BS EN 13959)
 - Built in drain point on outlet isolation valve to comply with water authority metering policy
 - EPP custom moulded insulation jacket (BS EN 13501-1). This can be fully removed with or without the water meter installed.
 - Horizontal or vertical mounting but flow direction indication on the valve body and the EPP insulation jacket must be adhered to.

Technical data

Max pressure:	16 Bar
Outlet pressure range:	1.5 - 6 Bar
Pre-set pressure:	3 Bar
Working temp:	4°C to +80°C

The EasyFlow Pro combination valve can be used in domestic potable water applications (both hot and cold), WRAS approved and UK Reg4 compliant.

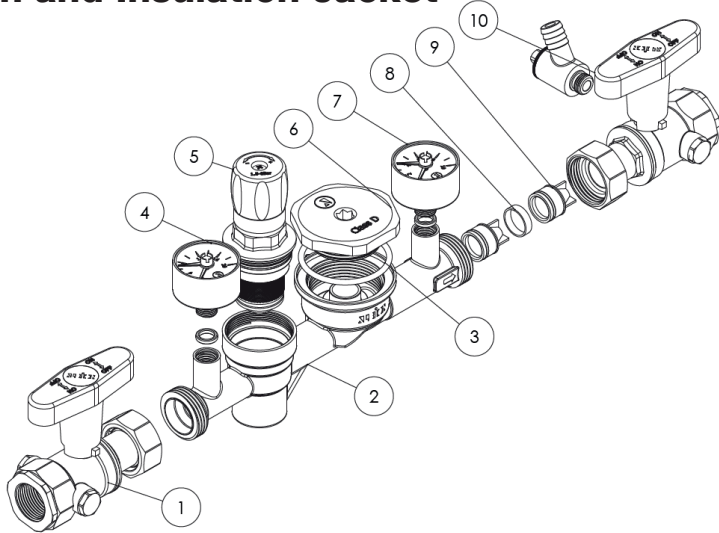


ART 710

EasyFlow Pro

Bronze Valve Assembly

complete with additional IV
and drain and Insulation Jacket



N. Part Name

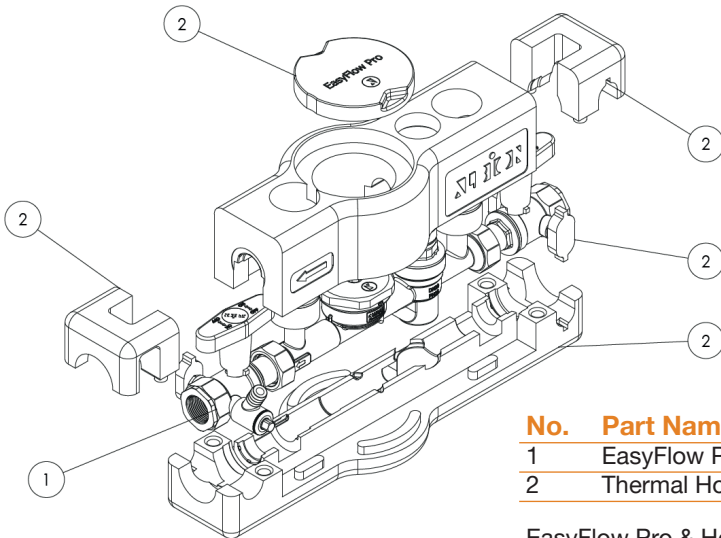
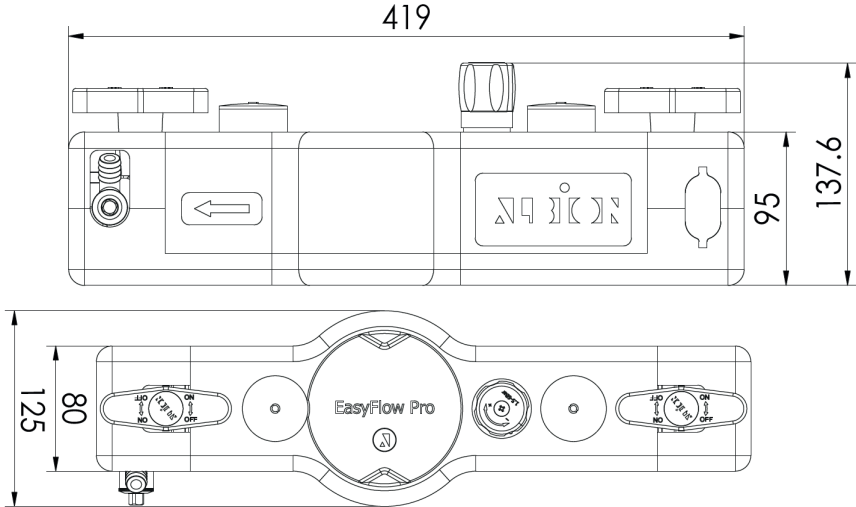
Materials

1	Ball Valve	Bronze CC499K
2	Water Meter Combination Valve Body	Bronze CC499K
3	O-Ring	EP7118F (70SH)
4	Pressure Gauge	Various
5	Pressure Reducing Valve	Various
6	Water Meter Cap	PA66 (black)
7	Pressure Gauge	Various
8	Sleeve	CW511L
9	Double Check Valve	POM
10	Ball Valve with Drain	Bronze CC499K

See IOM for full of spares available.

ART 710 EasyFlow Pro

Bronze Valve Assembly complete with additional IV and drain and Insulation Jacket



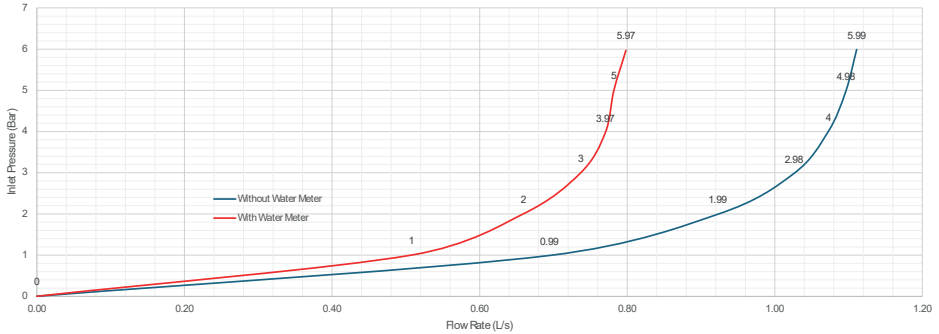
No.	Part Name	Materials
1	EasyFlow Pro	
2	Thermal Housing	EPP

EasyFlow Pro & Housing 2.45kgs

ART 710 EasyFlow Pro Bronze Valve Assembly complete with additional IV and drain and Insulation Jacket



EasyFlow Pro - Relationship Between Pressure (Bar) & Flow Rate (l/s) With & Without Water Meter



Specification Clause;

The water meter manifold shall be made from bronze material and must be WRAS approved.

The manifold shall incorporate, in the following order, an extended lever isolating ball valve, approved as a stop valve by water regulations (WRAS), a pressure gauge to display the supply (inlet) pressure, a cartridge type pressure reducing valve with integral in-line strainer, a connection point for an optional primary charging in-line 'Class D' concentric water meter, a double check valve, a pressure gauge to show the set outlet pressure, and an extended outlet lever isolating ball valve with integral drain facility.

The assembly shall be supplied in a purpose built insulated cover and all components shall be accessible from the front of the valve.