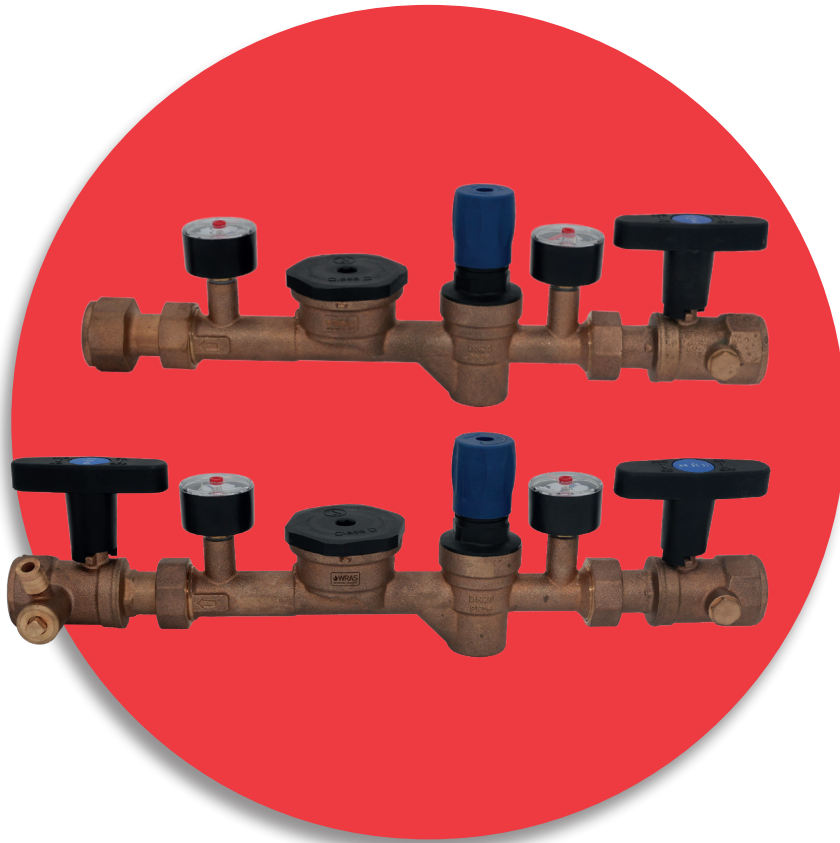




Installation & Operating Manual



EasyFlow / EasyFlow Pro **Bronze Combination Valve Assembly** **with Insulation Jacket** **(EasyFlow Pro includes additional IV and drain)**

Albion Valves (UK) Ltd
www.albionvalvesuk.com
Email: sales@albionvalvesuk.com
Tel: 01226 729900



Contents

1. Introduction
2. Technical Data
3. Valve Features
4. Valve Installation
5. Commissioning
6. Spares and Accessories
7. Troubleshooting
8. Warranty

1. Introduction

- Albion Valves (UK) Ltd's EasyFlow and EasyFlow Pro combines numerous valve functions in one compact self-contained unit to control and monitor water supply to multi-occupancy buildings, such as flats.
- The unit(s) incorporates:-
 - Ball Valve
 - Inlet Pressure Gauge
 - Pressure Reducing Valve (PRV)
 - Water Meter Connection Point (Class D)
 - Outlet Pressure Gauge
 - Double Check Valve
 - Ball Valve and Drain (EasyFlow Pro only)

The EasyFlow and EasyFlow Pro are both supplied complete with a removable thermal insulation jacket.

2. Technical Data

Valve Type	Temperature Rating	Max. Inlet Pressure	Pre-set Pressure	Adjustable Outlet Pressure
EasyFlow	+4°C to +80°C	16 Bar	3 Bar	1.5 - 6 Bar
EasyFlow Pro	+4°C to +80°C	16 Bar	3 Bar	1.5 - 6 Bar

Suitable media: Potable water

Mounting position: Horizontal or vertical

3. Valve Features

Albion's EasyFlow and EasyFlow Pro valve arrangement is a prefabricated valve combination designed to combine the direct functions necessary when providing potable water supply into multi occupancy high rise dwellings.



The primary function is to provide both a single point for any system operating requirements, such as set pressures, water metering provision along with the single point access for any maintenance activity by providing isolation and drainage facilities.

Key Features

- Direct class D water meter connection.
- Pair of pressure gauges to enable independent inlet and outlet readings.
- Creep free pressure reducing valve with built in strainer.
- Constructed from Bronze Alloy and pressure rated to 16 bar.
- Water Regulations and BS EN 806 compliant fully WRAS approved.

4. Valve Installation

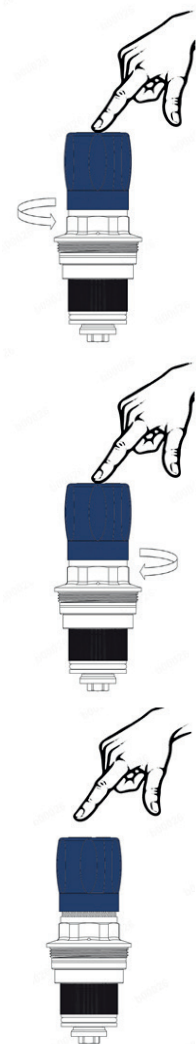
- The valve should be sited to ensure ease of access for PRV maintenance and the fitting of a Class D Water Meter Cartridge.
- It is the responsibility of the installer to ensure the valve is suitable for service conditions e.g., temperature, pressure, and service media.
- The assemblies may be installed in horizontal or vertical pipework.
- The assemblies are uni-directional and should only be used for flow in the direction shown on the valve.
- The assemblies should be installed with a minimum of 5 pipe diameters upstream to protect against noise and to ensure a laminar flow.
- The valve assembly union connections for the EasyFlow IV and the slide adaptor, or alternatively on the EasyFlow Pro, the IV and the IV with drain combination, should be checked to ensure they are leak tight whilst being installed.
- Albion does not recommend the use of jointing compound as any residue material that is not thoroughly flushed out of the system could cause the product to malfunction and void the product warranty.

5. Commissioning

- The PRV setting should be adjusted whilst the valve combination is under no flow conditions.
- Inlet pressure should be no more than 3 times that of the desired outlet.

Adjusting the set pressure on the Pressure Reducing Valve (PRV)

- Depress the blue handle to engage the spindle adjustment mechanism
- Turn the adjustment knob anti-clockwise to decrease the outlet pressure down to its minimum setting.
- Open a tap downstream of the PRV to relieve excess pressure.
- To increase the pressure, push the knob downwards and turn the adjustment knob clockwise. The outlet pressure will increase (as seen on the gauge)
- When the desired outlet pressure has been reached, release the pressure on the knob and it will spring back into place, locking it into position and setting the pressure.

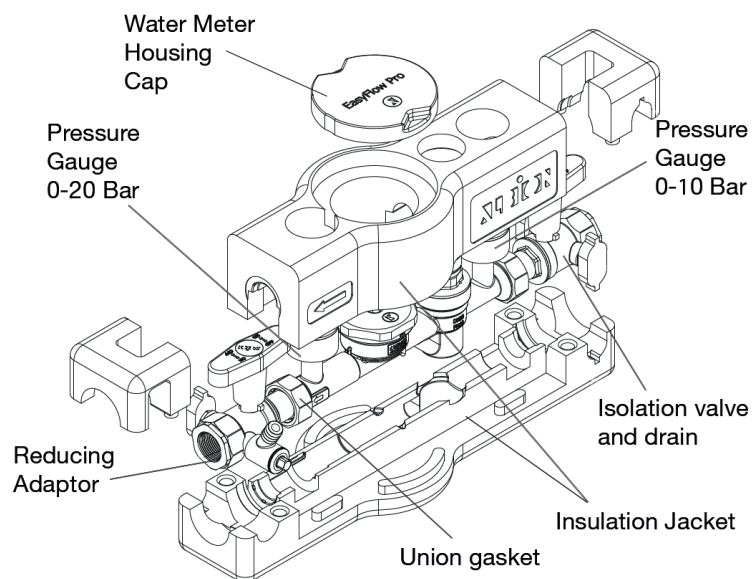


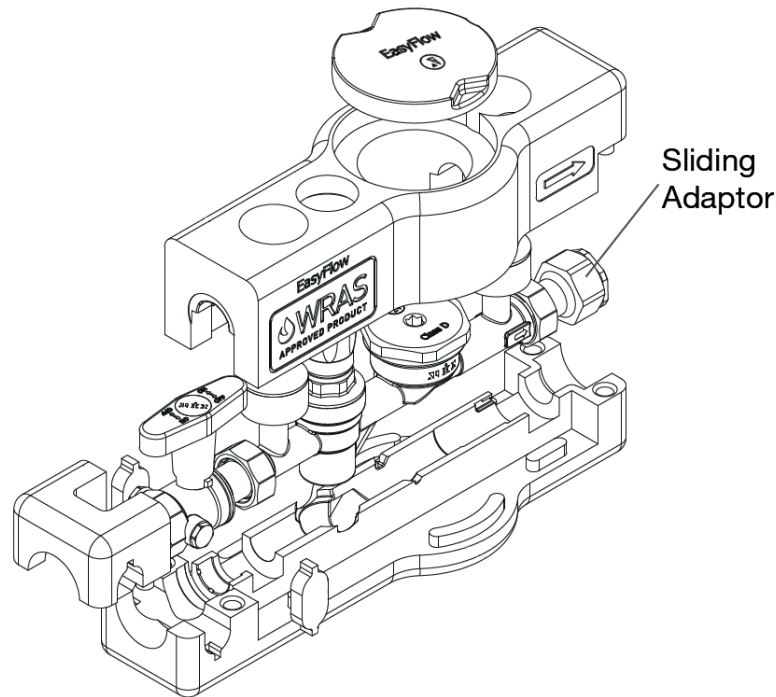
Installing a water meter cartridge

If required, a Class D water meter cartridge can be installed into the water meter connection port.

- Isolate the flow to the valve assembly by closing the ball valve on the incoming supply side of the valve assembly
- Relieve the downstream pressure by closing the ball valve and opening a tap downstream. (On the EasyFlow Pro, close the ball valve with drain)
- The water meter cartridge connection can be accessed by removing the respective jacket insulation at the point of install.
- Remove the plastic blanking cap from the water meter connection point using an Allen key or a spanner flat.
- Ensure an O-ring is in place on the water meter cartridge, and then screw the water meter cartridge into position and tighten to seal.
- Feed the thin wire through the hole on the assembly and then through the hole on the water meter cartridge. Connect the two ends with lead seal.
- Refit the insulation jacket (minus the water meter connection blanking cap).
- Reopen the ball valve.
- Check the outlet pressure and repeat the adjustment of the PRV if necessary.

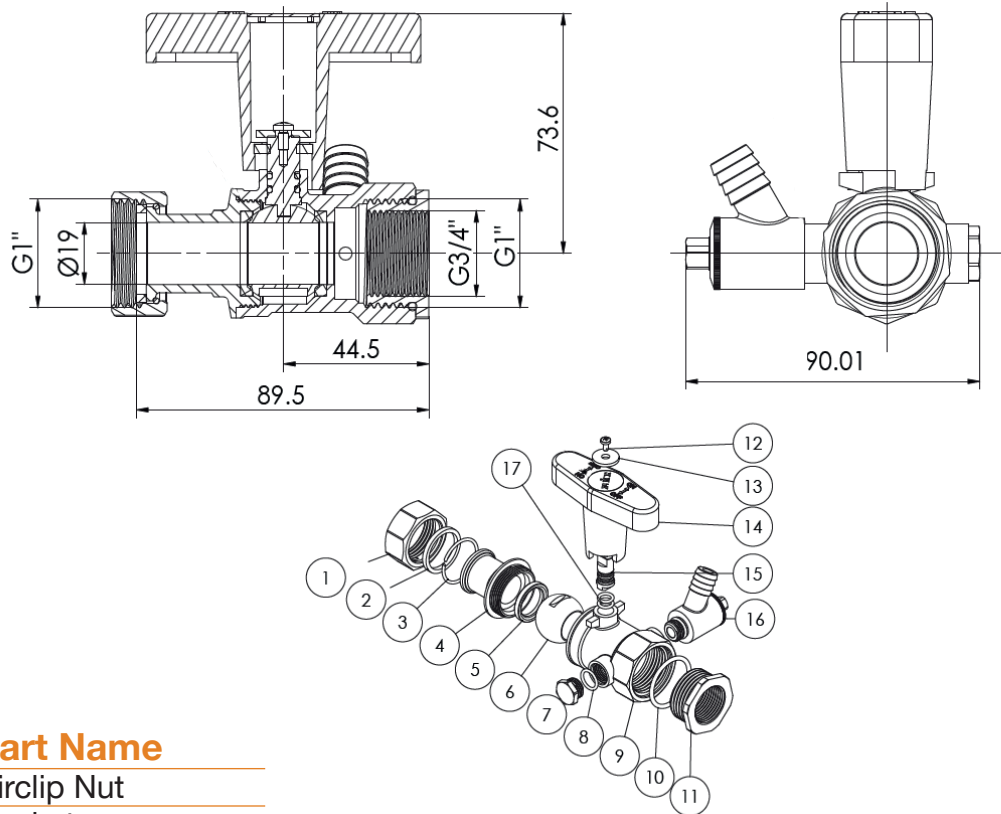
6. Spares and Accessories





Albion Code	Albion Description
AEFPSLIDEADAPTOREF	ART 705 Sliding Adaptor EasyFlow
AEFPJACKET705EF	ART 705 Thermal Jacket EasyFlow
AEFPJACKET710EFP	ART 710 Thermal Jacket EasyFlow Pro
AEFPGASKETS	Union Gasket EasyFlow & EasyFlow Pro
AEFPGAUGE010	Pressure Gauge 0 - 10 Bar EasyFlow & EasyFlow Pro
AEFPGAUGE020	Pressure Gauge 0 - 20 Bar EasyFlow & EasyFlow Pro
AEFPIVDRAIN	ART 710 Isolation Valve & Drain Cock EasyFlow Pro
AEFPADAPTORBUSH	1" x 3/4" Reducing Adaptor EasyFlow & EasyFlow Pro
AEFPWMHCAP	Water Meter Housing Cap EasyFlow & EasyFlow Pro

EasyFlow Pro only - Ball Valve and Drain



N.	Part Name
1	Circlip Nut
2	Gasket
3	Circlip
4	Valve Seat
5	Sealing Seat
6	Ball
7	Plugging Cap
8	O-Ring
9	Valve Body
10	O-Ring
11	Adaptor
12	Screw
13	Fixing Gasket
14	Handle
15	Stem
16	Drain Valve
17	O-Ring



7. Troubleshooting

- If any maintenance is to be undertaken on the valve it is the responsibility of the installer to ensure the system is adequately drained and depressurised.
- A full risk assessment should be undertaken prior to any works taking place.

8. Warranty

- For further details of Albion Valves (UK) Ltd warranty period, please refer to Albion Valves (UK) Ltd's Conditions of Sale available on our website.



About Albion Valves (UK) Limited

Albion Valves (UK) Limited has been in the industrial heating and valve market for over 40 years, with this comes a wealth of knowledge and expertise that allows us to support our network of independent distributors and their customers.

Albion aims to supply a readily available, complete, quality valve solution alongside excellent cradle-to-grave support and service.

That is why we say, 'It's all at Albion'.

Quality

Whatever you need, you can rest assured that if it comes from Albion it has been designed and manufactured to deliver optimum performance and is accredited with the necessary approvals. Our in-house quality and technical departments are always on hand too!

Service

Our cradle-to-grave approach means you will never be on your own. Whether you need assistance with your system designs, an industry-leading turnaround time on your quote, or some help with commissioning after installation, we have a team to help!

Delivery

We know that time is money, and when a priority project depends on a part, you can trust Albion to deliver. We deliver 95% of products the next day with 99.98% accuracy!

Choice

We may have started with a single brass ball valve, but our range has grown substantially since and we can now offer a full building services valve solution, alongside a comprehensive range of valves for the industrial and process markets.

It is becoming more and more apparent to the industry, that it really is, all at Albion.